



## Ni-Zn Ferrite Toroidal Inductors-CKTC Series 镍锌磁环电感-CKTC系列

### ● FEATURES 特性

1. 具有较宽范围的高频(1-100MHz)响应, 高阻抗, 低损耗;

Wide range of high frequency (1-100mhz) response, high impedance, low power loss.

### ● APPLICATIONS 用途

1. 用于EMI/RFI扼流圈、输入滤波器。

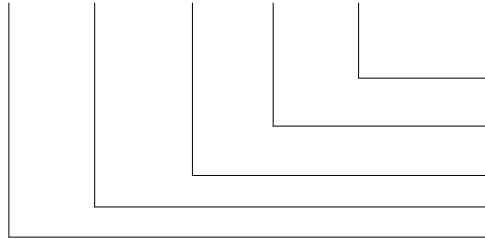
Using in a wide variety of EMI/RFI choke,input filter.

2. 如果你有定制化需求, 请联系我们。

We can customize products according to your requirements. Please contact us.

### ● PART NUMBERING SYSTEM 品名系统

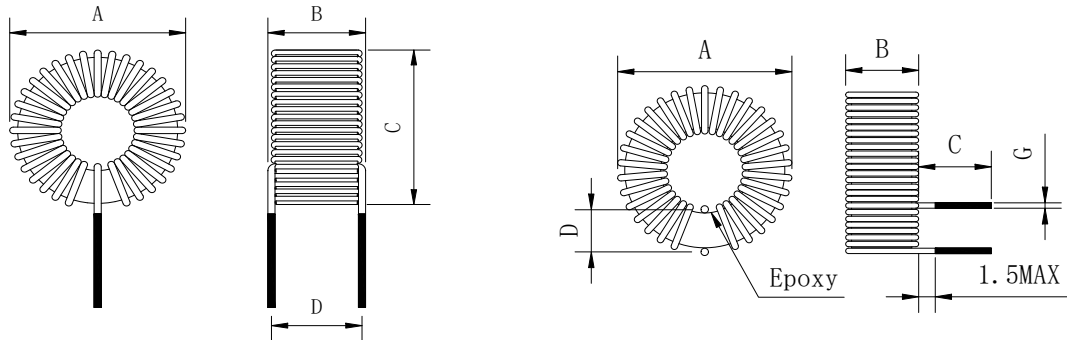
CKTC □□□□ - 100uH / M - □□□□



SERIAL CODE 编号  
TOLERANCE CODE (OMISSIBLE)  
公差 (有时省略)  
INDUCTANCE 电感值  
DIMENSIONS 尺寸  
SERIES CODE 品名



### ● SHAPES AND DIMENSIONS 外形尺寸 (Unit:mm)



Unit : mm

TYPE (型号)	INDUCTANCE/电感量	A	B	C	D	Work Frequency
T4.5*3*2	1.0uH-10.0uH	6.5	5.0	6.5	3.0	0.01-0.5MHz
T6*3*3	2.0uH-15.0uH	8.0	6.0	8.0	4.0	0.01-0.5MHz
T8*4*4	3.0uH-20.0uH	12.0	8.0	12.0	6.0	0.01-0.5MHz
T9*5*3	5.0uH-20.0uH	13.0	7.0	14.0	6.0	0.01-0.5MHz
T12*6*5.5	8.0uH-20.0uH	16.0	9.5	17.0	8.0	0.01-0.5MHz
T14*10.6	8.0uH-20.0uH	18.0	10.0	18.0	8.0	0.01-0.5MHz
T16*12*8	10.0uH-25.0uH	20.0	12.0	20.0	10.0	0.01-0.5MHz
T18*10*6	10.0uH-30.0uH	22.0	10.0	22.0	8.0	0.01-0.5MHz
T20*10*7	10.0uH-30.0uH	24.0	11.0	24.0	9.0	0.01-0.5MHz
T22*13.5*8	10.0uH-40.0uH	26.0	12.0	16.0	10.0	0.01-0.5MHz
T36*25*12	15.0uH-150.0uH	30.0	16.0	30.0	11.0	0.01-0.5MHz